



**OPENFIELD™**  
TECHNOLOGY

MICRO INSTRUMENTS FOR HARSH ENVIRONMENTS

**1" T-EX  
FAST RESPONSE MICRO-RECORDER  
WITH EXTERNAL TEMPERATURE  
PLATINUM RTD**

HIGH RESOLUTION - FAST TRANSIENTS



## FEATURES

Developed to conquer technical challenges and fill an important Exploration & Production market gap, OpenField™ sensors are unique in making microchip technology work in the harshest environments. Pairing the benefits of our patented mono-crystal micro sensor with a corrosion -and HPHT- resistant protective casing that can fit in the palm of your hand, OpenField™ sensors enable operators to collect high accuracy and high resolution data on downhole pressure and temperature.

### IDEALLY SUITED FOR FAST BHP/BHT, LEAKS DETECTION AND GAS LIFT VALVE PERFORMANCE CHECK

The OpenField™ Pressure, Temperature and Fast Response Temperature (T-EX) Gauge is ideal for monitoring pressure, temperature and extremely fast temperature transients downhole, particularly efficient to perform temperature logs, detect leaks and check on the operational performance of injecting gas lift valves.

The RTD sensor - directly in touch with the flow - helps to identify any temperature changes/transients almost instantly.

That's very useful to:

- detect leakages
- check on gas lift valve injection operational conditions
- quick BHT measurement.

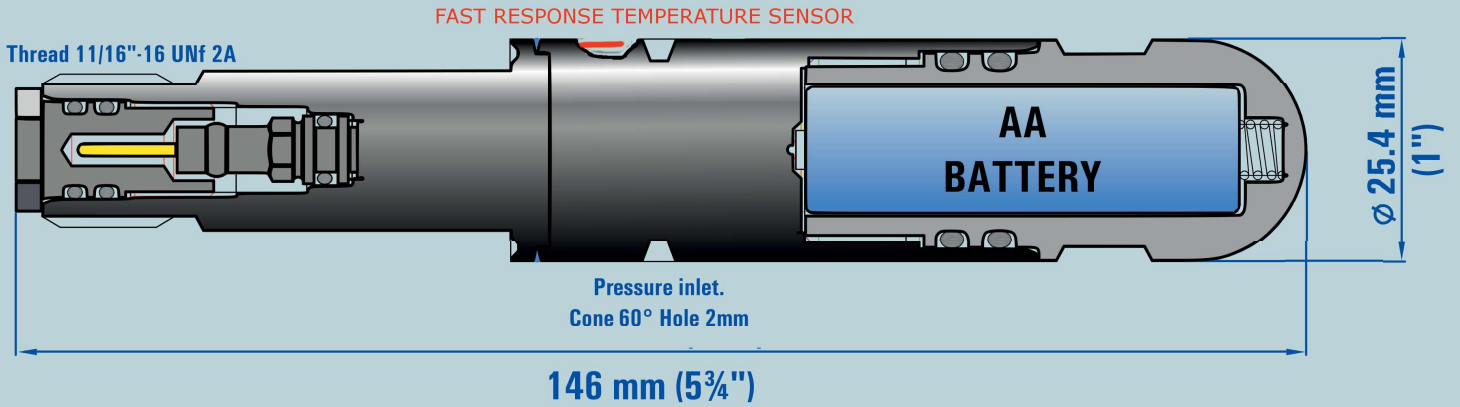
## SPECIFICATIONS

<b>Outside Diameter</b>	25.4mm (1")
<b>Length</b>	146mm (5¾")
<b>Material</b>	Inconel 718 - Sour Service
<b>Battery</b>	1 single AA lithium battery
<b>Memory</b>	5.6 million data sets (Time, Pressure, Temperature, Fast Temperature)
<b>Pressure Range</b>	10, 15 or 20kPsi (700, 1000 or 1300bar)
<b>Temperature Range</b>	125, 150 or 170°C (257, 302 or 338°F)
<b>Pressure Accuracy</b>	±0.01% FS
<b>Pressure Resolution</b>	0.00005% FS at 1Hz
<b>Fast Temperature Accuracy</b>	0.3°C
<b>Fast Temperature Resolution</b>	0.002°C at 1Hz
<b>Sampling Rate</b>	32 milliseconds to 128 seconds
<b>Deployment</b>	Slickline / SPM / Carriers
<b>Interface</b>	Plug and Play USB

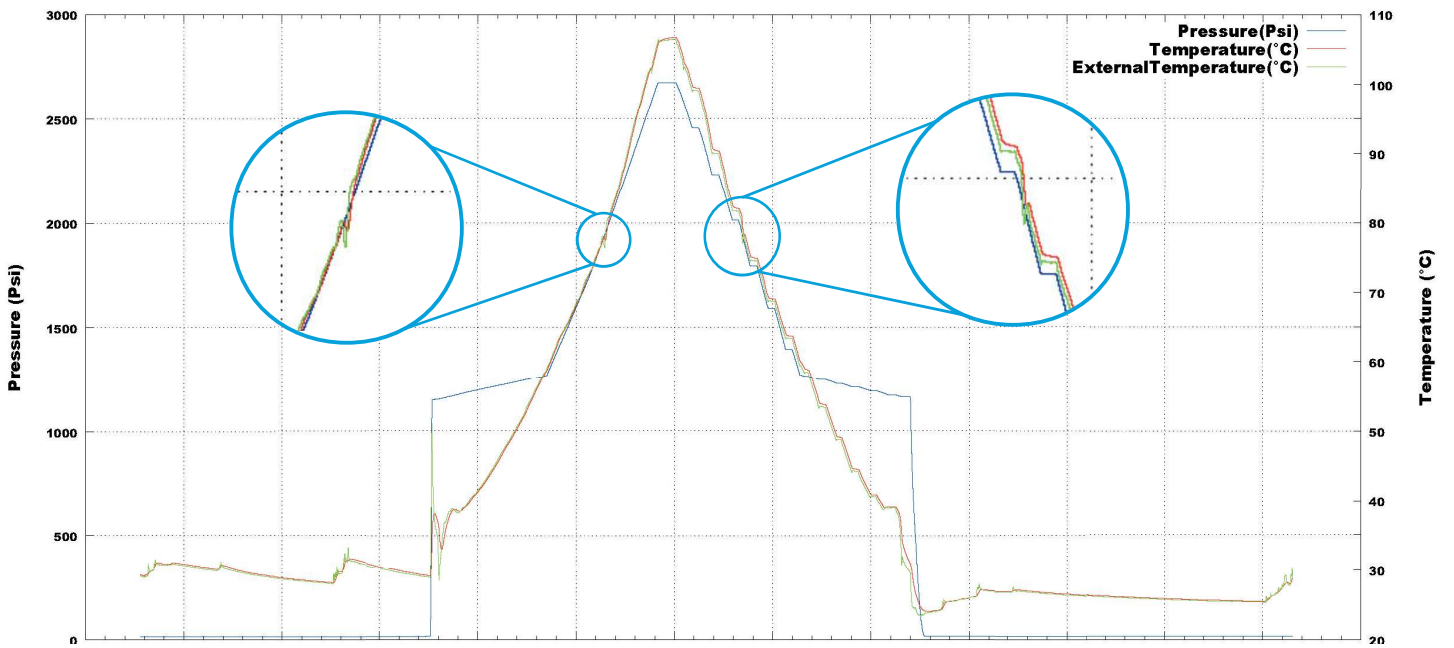
## APPLICATIONS

- Fracturing Jobs
- Build-up Analysis
- Perforation Jobs
- Temperature Logs
- Fast BHP/BHT
- GLV performance check
- Reservoir Evaluation
- Water Injection Monitoring
- Drill Stem Testing

# HIGH RESOLUTION - FAST TRANSIENTS T-EX FAST RESPONSE MICRO-RECORDER WITH EXTERNAL TEMPERATURE

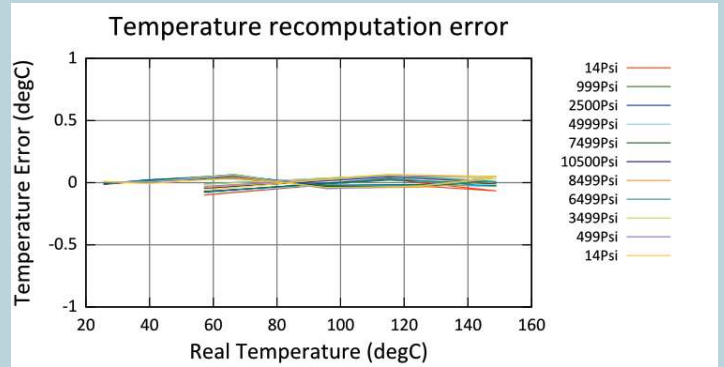
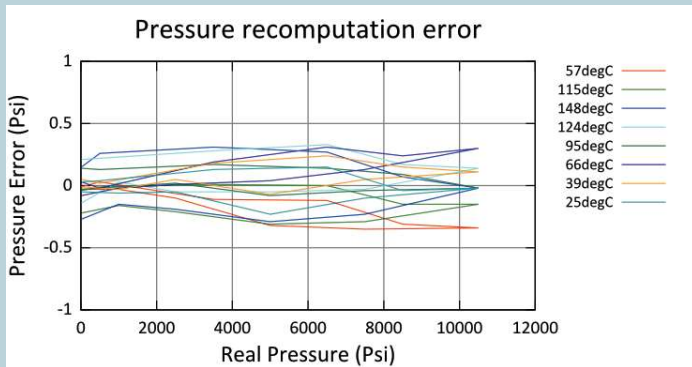


## CASE STUDY



Data from a gradient logging job run on slickline. The external temperature measurement revealed sudden temperature drops

## METROLOGY



Rev A: information furnished by OpenField is believed to be accurate and reliable. However, no responsibility is assumed by OpenField for its use, nor for any infringements of patents or other rights of third parties that may result from its use. Specifications subject to change without notice. No license is granted by implication or otherwise under any patent or patent rights of OpenField. Trademarks and registered trademarks are the property of their respective owners.



[www.openfield-technology.com](http://www.openfield-technology.com)

13 rue de Limoges - 78000 Versailles - France

633 E. Fernhurst Dr. Ste. #105 - Katy TX 77450 - USA

©2011-2022 OpenField. All rights reserved.